

Pioneering for You

wilo

产品手册

Wilo-NLG

卧式端吸离心泵



“威乐，
值得信赖的
水泵专家。”



威乐端吸泵NLG系列，遵循威乐百年制泵理念，产品安全、高效、环保。叶轮可根据客户使用环境采用铸铁或青铜材质。泵体与电机之间采用易拆卸短节结构，便于水泵维护保养。水封选用弹簧式机械密封或无需冷却的填料函密封，具有定位准确，可靠性高，方便维护等特点。

端吸泵NLG系列可广泛应用于供热、空调系统、循环系统、供水系统、消防喷淋系统等。

www.wilo.com.cn

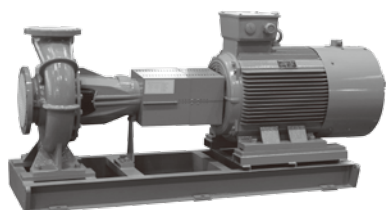


Wilo-NLG

Pioneering for You

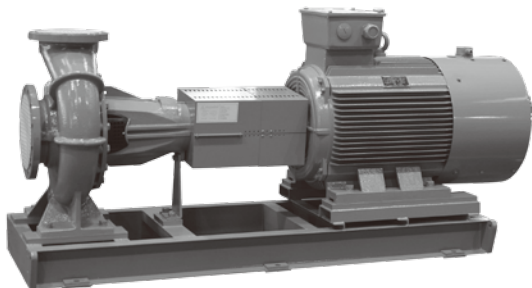
wilo

Wilo-NLG



| | | |
|------------------------|---------|----|
| Series description | 系列说明 | 1 |
| Technical data | 技术参数 | 4 |
| Pump curves | 性能曲线 | 7 |
| Dimensions and weights | 外形尺寸及重量 | 10 |

Series description Wilo-NLG 系列说明



Wilo-NLG

Baseplate pump with axial suction, in accordance with EN 733 (previously DIN 24255)/EN 22858 and ISO 5199

Application

- Pumping clean or slightly contaminated water (max. 20 ppm) without solid matter for circulation, transfer and pressure boosting purposes.
- Pumping heating water in accordance with VDI 2035, water-glycol mixtures, cooling/cold water and industrial water.
- Applications in municipal water supply, irrigation, building services, general industry, power stations, etc.

Scope of delivery

- Pump with bare shaft end or
- Pump on baseplate with coupling and coupling protection, without motor or
- Completely mounted pump on baseplate with electric motor
- Pump casing/cover: QT500-7 ductile cast iron;
Impeller: EN-GJL 250 - grey cast iron or bronze CT1; mechanical seal;
standard coupling or spacer coupling
- Installation and operating instructions

Type key

| | |
|---------|--|
| Example | NLG 200/400 -110/4 |
| NLG | Horizontal end suction pump |
| 200 | Nominal diameter in DN (discharge side) |
| 400 | Nominal impeller diameter |
| 110 | Nominal motor power P ₂ in kW |
| 4 | Number of poles |

Special features/product benefits

- Burgmann mechanical seal
- Branded shaft protection
- SPM connections for vibration and temperature sensors
- Shaft deflection in accordance with the DIN ISO 5199
- Greased for life 2Z oversized ball bearings

Wilo-NLG

卧式端吸离心泵, 符合 EN 733 标准 (原 DIN 24255 标准) /EN 22858 和 ISO 5199 标准

应用

- 泵送洁净或不含固体颗粒的微污染水 (最大 20 ppm), 用于循环, 输送和增压供水。
- 泵送水质要求符合 VDI 2035 标准的热热水, 水 - 乙二醇混合液, 冷却水 / 冷水和工业用水。
- 应用在市政供水, 灌溉, 楼宇, 一般工业, 电站等。

供货范围

- 泵头
- 泵头、底座、联轴节和联轴节防护罩, 不配电机
- 由泵头, 联轴节、联轴节防护罩电机和底座组成的整泵
- 泵体/泵盖: QT500-7 -球墨铸铁;
叶轮: EN-GJL 250 - 灰铸铁或青铜 CT1; 机械密封;
标准联轴节或易拆卸短节
- 安装及操作维护说明书

型号

| | |
|-----|----------------------------|
| 例 | NLG 200/400 -110/4 |
| NLG | 卧式端吸离心泵 |
| 200 | 出口公称直径 DN |
| 400 | 名义叶轮直径 |
| 110 | 电机额定功率 P ₂ (kW) |
| 4 | 电机极数 |

产品特点/优点

- 博格曼机械密封
- 轴保护
- SPM 振动检测接口和温度传感器
- 轴挠度符合 DIN ISO 5199 标准
- 放大尺寸的深沟球轴承

Series description Wilo-NLG 系列说明

Materials

- Pump housing
 - Ductile cast iron spiral with anti-rotation ribs.
 - With axially aligned suction piece and radial pressure ports and cast assembly feet.
 - Dimensions and hydraulics are in accordance with DIN EN 733/DIN EN 22858
 - Flange PN 16 in accordance with ISO 7005-2
- Standard mechanical shaft seal AQ1EGG for water up to 120°C
- Stuffing box for water up to 110°C

Description/design

- Single-stage low-pressure centrifugal pump as baseplate pump with axial suction piece with flanged bearing bracket and axis mounting for flexibly coupled drives.
- Spacer coupling (sleeve coupling) available as an option; they make it possible to leave the motor in position when removing the rotor unit.
- Shaft deflection meets the requirements of ISO 5199.

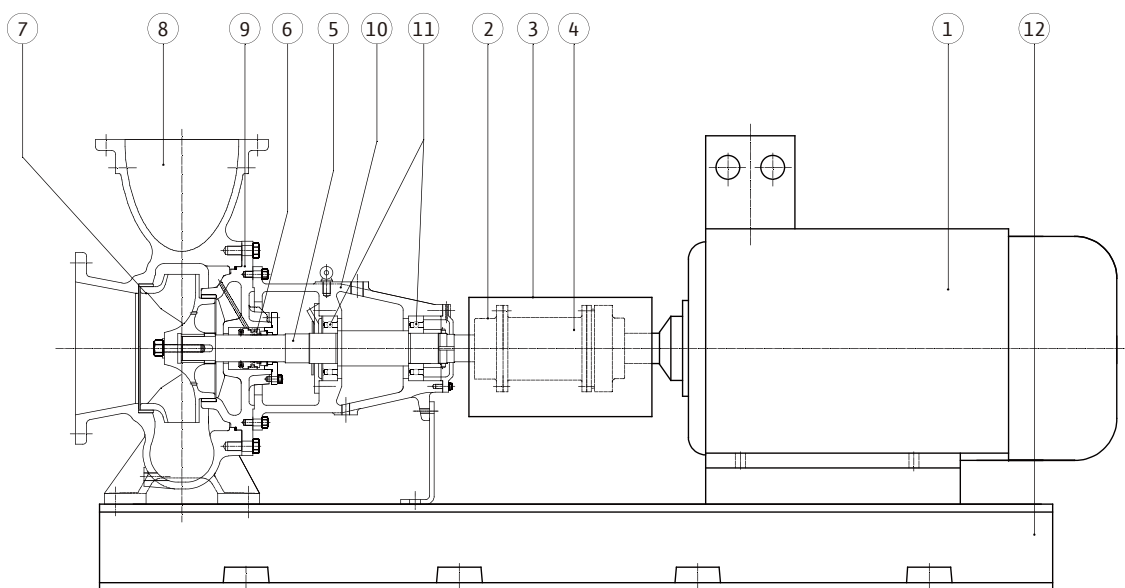
材质

- 泵体
 - 球墨铸铁蜗壳。
 - 轴向进水，径向出水。
- 尺寸和性能符合 DIN EN 733/DIN EN 22858 标准
- 法兰承压 PN 16 符合 ISO 7005-2 标准
- 标准机械密封 AQ1EGG 最高允许水温 120°C
- 填料函密封的最高允许水温 110°C

设计说明

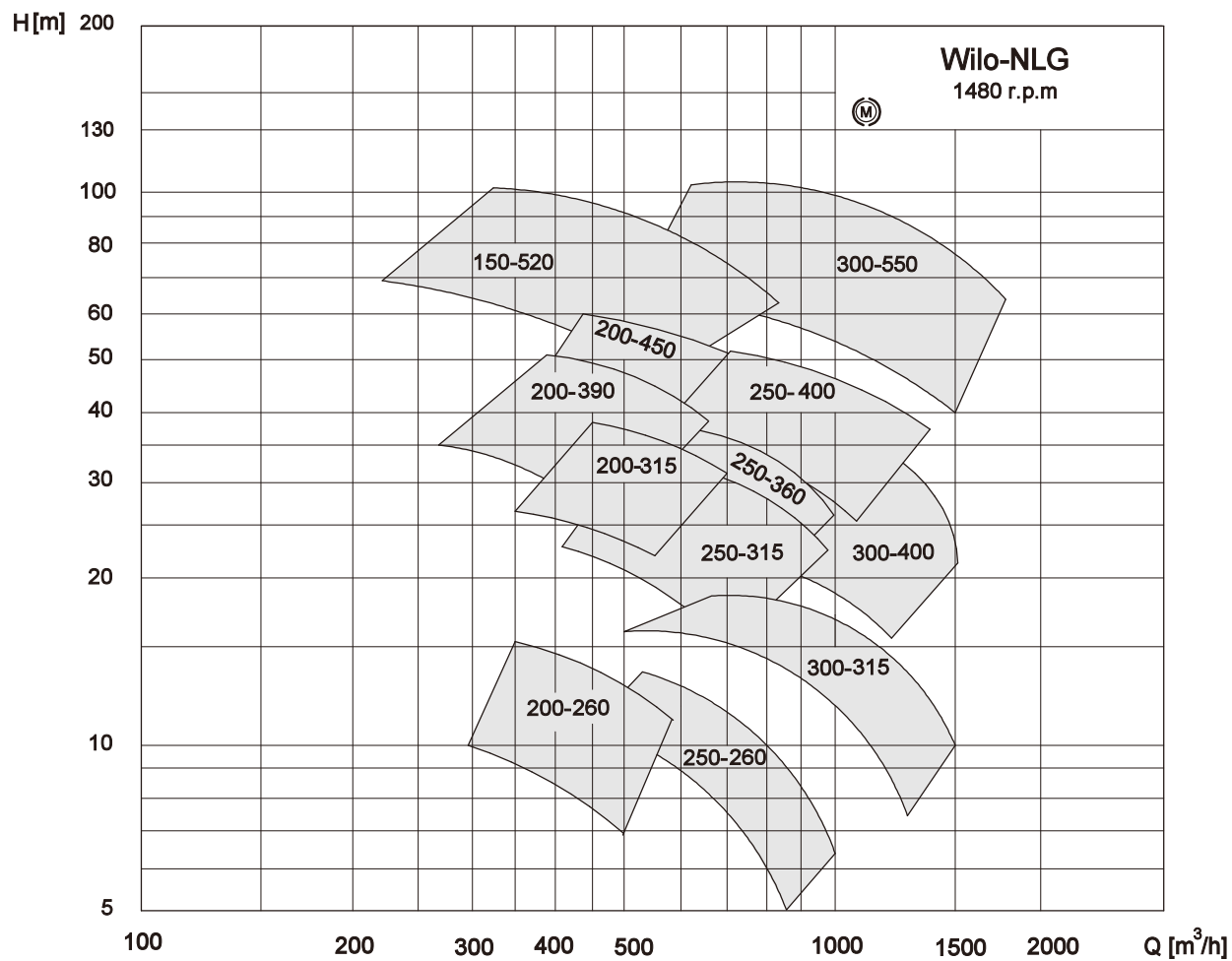
- 卧式单级低扬程端吸离心泵，带轴承架和挠性联轴节，装于底座之上。
- 配有易拆卸短节；在移动转子组时留有足够的拆卸空间，不需移动电机。
- 轴挠度满足 ISO 5199 要求。

Section drawing 水泵结构图



| | | | | | |
|---|---------------------|--------|----|-----------------|-----|
| 1 | Motor | 电机 | 7 | Impeller | 叶轮 |
| 2 | Coupling | 联轴节 | 8 | Pump casing | 泵体 |
| 3 | Coupling protection | 联轴节防护罩 | 9 | Housing cover | 端盖 |
| 4 | Spacer | 易拆卸短节 | 10 | Bearing bracket | 轴承架 |
| 5 | Shaft | 泵轴 | 11 | Roller bearing | 轴承 |
| 6 | Mechanical seal | 机械密封 | 12 | Baseplate | 底座 |

Wilo-NLG 总特性曲线



Technical data Wilo-NLG 技术参数

| | | Wilo-NLG | |
|--|-----------------------|----------|--|
| Approved fluids (other fluids on request) 允许的输送介质(其他介质请来函咨询) | | | |
| Heating water (in acc. with VDI 2035) 供暖热水(符合VDI 2035 标准) | | • | |
| Cooling and cold water 冷却水和冷水 | | • | |
| Water-glycol mixtures (for 20-40% vol. glycol and fluid temperature ≤40°C) 水-乙二醇混合液(乙二醇溶液体积含量20-40%,且温度≤40°C) | | • | (from 10 vol.% glycol: performance check required up to 50% glycol: mechanical seal on request) (乙二醇含量超过10%:性能参数需重新调整;溶液体积含量达50%:机械密封请来函咨询) |
| Permitted field of application 应用范围 | | | |
| Max. operating pressure at fluid temperature of +120°C [bar] | 介质温度120°C时最大工作压力 | | 16 |
| Temperature range [°C] | 温度范围 [°C] | | -20 ~ +120°C |
| Max. ambient temperature [°C] | 最高环境温度 | | +40°C |
| Pipe connections 管路连接 | | | |
| Nominal connection diameters DN on suction side: on pressure side: | 连接管径 DN 进口端 出口端 | | 200-350 (larger nominal diameters on request) (其他口径请来函咨询) 150-300 (larger nominal diameters on request) (其他口径请来函咨询) |
| Flanges (according to ISO 7005-2) | 法兰承压(符合ISO 7005-2) | | PN16 |
| Materials 材质 | | | |
| Pump casing/cover | 泵体/泵盖 | • | QT500-7 球墨铸铁 |
| Bearing bracket | 轴承托架 | • | EN-GJL-250 铸铁 |
| Impeller (standard) | 叶轮(标准) | • | EN-GJL-250 铸铁 |
| Impeller (special version) | 叶轮(特殊) | - | bronze CT1 青铜 |
| Pump shaft | 泵轴 | • | X30Cr13 不锈钢 |
| Mechanical seal | 机械密封 | • | AQ1EGG (carbon/silicon carbide/EPDM) 碳化硅/石墨 |
| Other mechanical seals | 其他机械密封 | - | on request (depending on the pumped liquid)其他(来函咨询) |
| Non-cooled stuffing box | 无需冷却的填料函 | - | on request (depending on the pumped liquid)其他(来函咨询) |
| Electrical connection 电气连接 | | | |
| Speed range [rpm] | 转速 [rpm] | • | 1480 |
| Speed range (special version at additional charge) [rpm] | 转速(另需加价) [rpm] | • | 950 |
| Motor/electronics 电机 | | | |
| Factory standard IEC motor | IEC电机 | • | |
| Other brand production | 其他品牌电机 | - | special version at additional charge 可定制 |
| Protection class | 防护等级 | • | IP55 |
| Insulation class | 绝缘等级 | • | F |
| PTC thermistor sensor | PTC热敏电阻传感器 | - | tripping unit required 配继电器 |
| Motor protection required onsite | 现场需配电机保护 | - | (To be provided for onsite installation) (现场由其它方提供) |
| Frequency range | 频率范围 | | 25~50Hz |

End-suction pumps
卧式端吸离心泵

| Technical data Wilo- NLG 技术参数 | | | |
|-------------------------------|-------------|----------|---|
| | | Wilo-NLG | |
| Energy efficiency class | 能效等级 | | CL2(IE 4 at additional charge) 国标能效2级 (配置IE4电机可定制) |
| Speed control | 转速控制 | - | Wilo control devices external frequency converter (additional charge) Wilo 控制装置,变频器 (可定制) |
| Motor winding from 4kW | 电机绕组 ≥ 4 kW | • | 380 V Δ /660 VY, 50 Hz |
| Other voltages/frequencies | 其他电压/频率 | - | Special version at additional charge (可定制) |
| Direct current | 直流电机 | - | Special version at additional charge (可定制) |
| Explosion-protected versions | 防爆电机 | - | Special version at additional charge (可定制) |

- = available 标准配置
- = not available 可选用

Technical data Wilo-NLG 技术参数

水泵混凝土基础 Plinth Mounting of Pumps

水泵的正确安装和稳固的基础是水泵低噪音的重要因素。
The correct planning and execution of stable concrete foundations is a deciding factor for the low-noise operation of pumps.

为增加设备质量和消除不平衡受力，建议水泵底座和混凝土基础之间采用直接固定连接的方式。

To increase the stabilizing mass and to compensate for unbalanced forces it is recommended to allow a direct and rigid connection between the pump unit and the base block.

为确保水泵振动不传递给建筑结构，水泵基座应与建筑结构用弹性件隔离。

To ensure that no vibration is transmitted to the building structure it is however required to isolate the base block itself from the building structure by means of an elastic isolator.

隔离物的种类、数量的选择取决于不同的因素，例如：旋转速度、设备重量和重心，建筑结构和管路的外部影响等等。

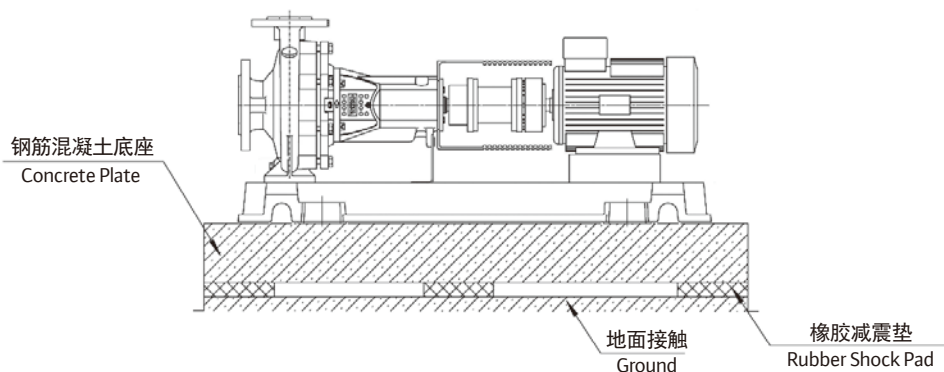
Selection of the kind and material of the isolator depends on a number of different factors (and areas of responsibility), including speed, unit mass and centre of gravity, the building structure (architect) and other external influences by the pipework, etc. (Planning engineers/installation company).

特别提醒：为保证水泵合理的隔声、减噪，请向有关专业人士咨询基础的设计。

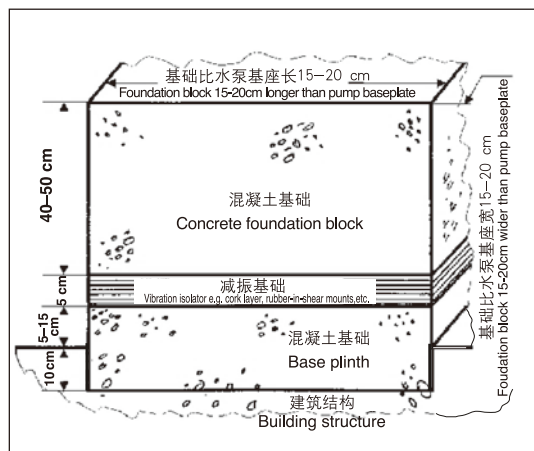
It is highly recommended—in order to cover all aspects of relevant building and acoustical criteria to employ a qualified acoustics consultant to advise on the planning and execution of equipment foundations.

基础的外形尺寸应比水泵底座的外形尺寸每边各增加15–20cm。
Length and width of the foundation block should be approx. 15 to 20 cm larger than the outer dimensions of the pump baseplate.

水泵安装示意图 Installation Chart



水泵基础示意 Pump Base Construction



浇灌基础时注意避免在基础与混凝土基座之间产生声桥。

When pouring the base plinth care must be taken to avoid any sound bridges (plaster, tiles, ancillary construction, etc.) between the base plinth and the base block.

安装水泵管路时要避免水泵承受其他外力。建议在水泵进、出口管路附近安装管路固定装置。

The consultant/contractor has to take care that pipe connections to the pump are made free of stress on the pump body and without any influences from mass and oscillating forces. It is recommended to firmly anchor the pipework at the suction and discharge ports of the pump.

水泵安装完成后注意要进行水泵的对中调整。

After installing flexibly coupled pumps in position it is necessary to properly align the baseplate and the thereon mounted pump with coupling and motor (on site by others).

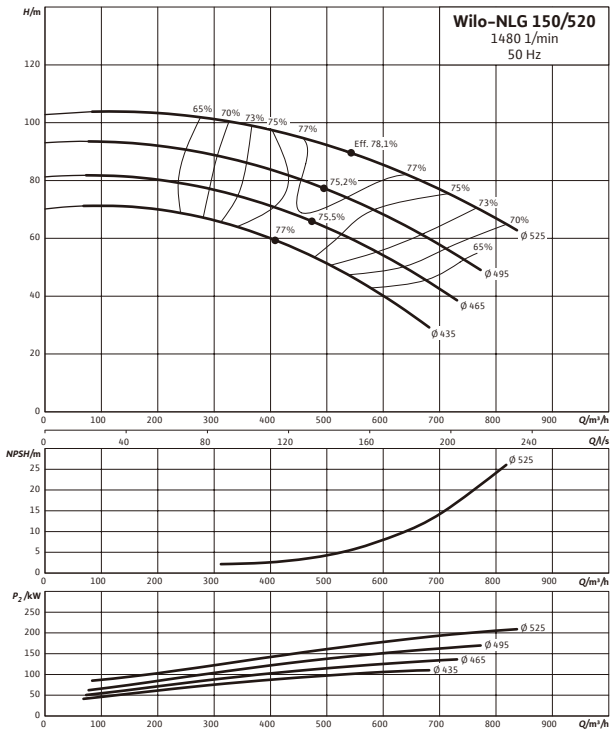
建议由威乐公司售后服务人员负责水泵试车。

Commissioning the pump by the Wilo Service is recommended.

Pump curves Wilo - NLG 性能曲线

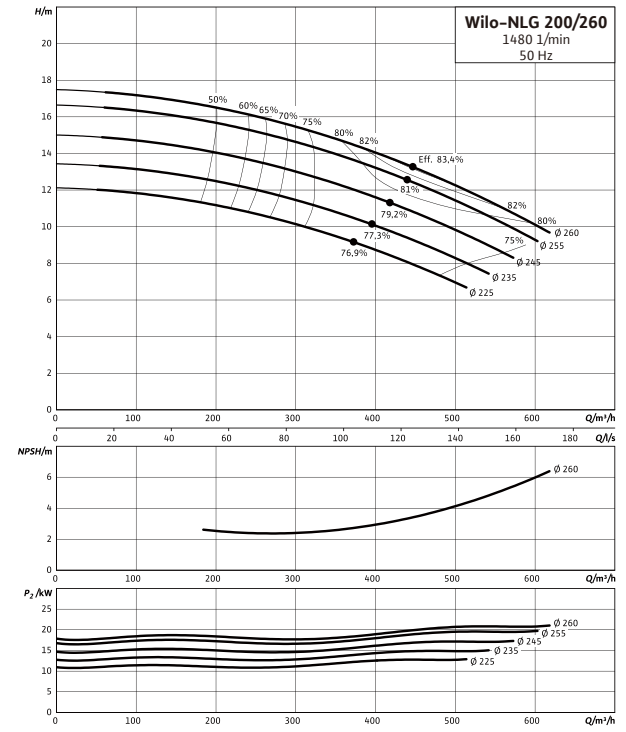
Wilo-NLG 150/520

Speed 1480 rpm



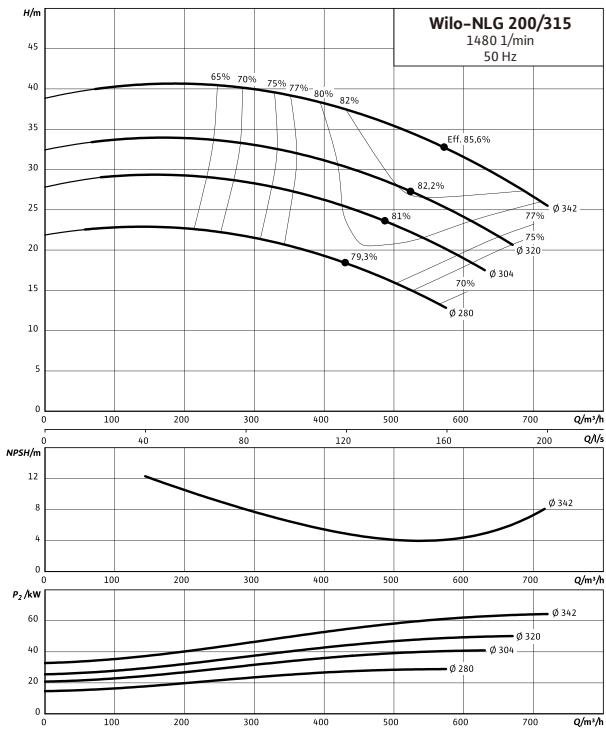
Wilo-NLG 200/260

Speed 1480 rpm



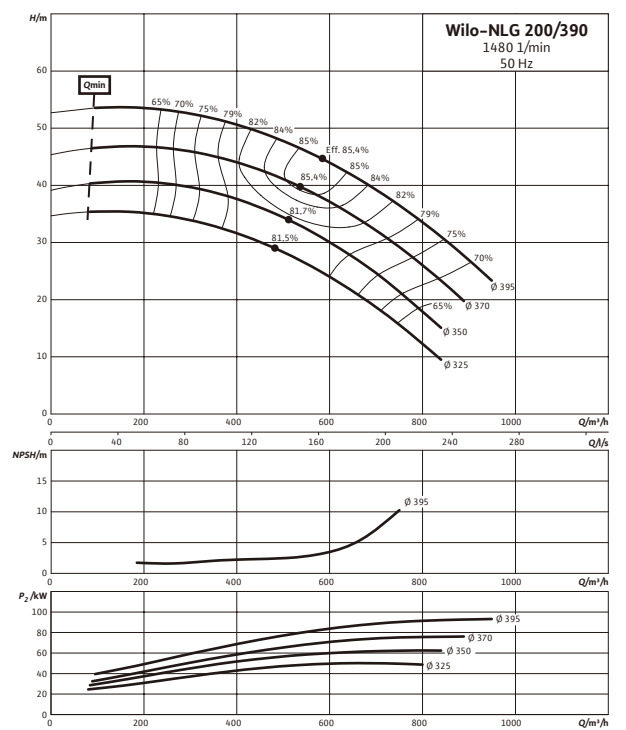
Wilo-NLG 200/315

Speed 1480 rpm



Wilo-NLG 200/390

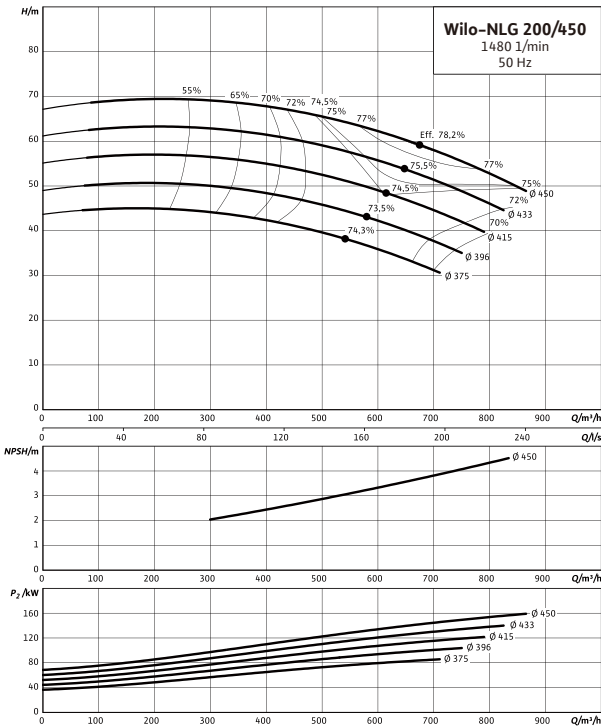
Speed 1480 rpm



Pump curves Wilo - NLG 性能曲线

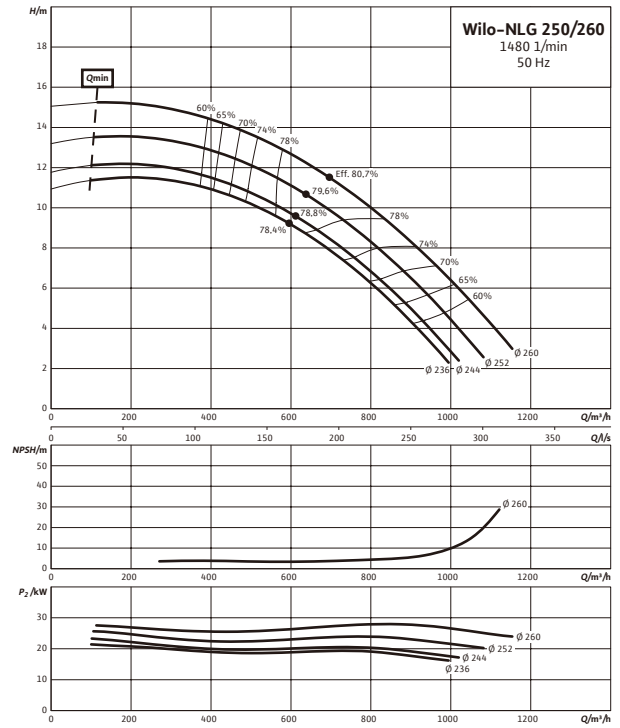
Wilo-NLG 200/450

Speed 1480 rpm



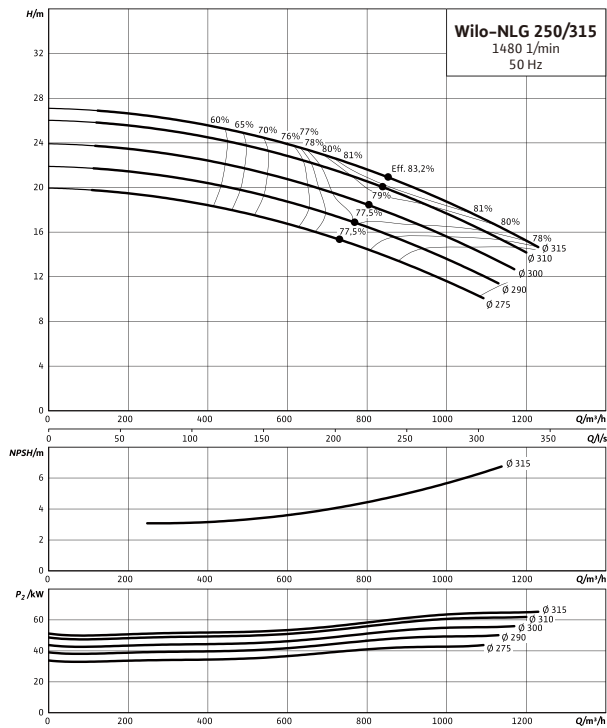
Wilo-NLG 250/260

Speed 1480 rpm



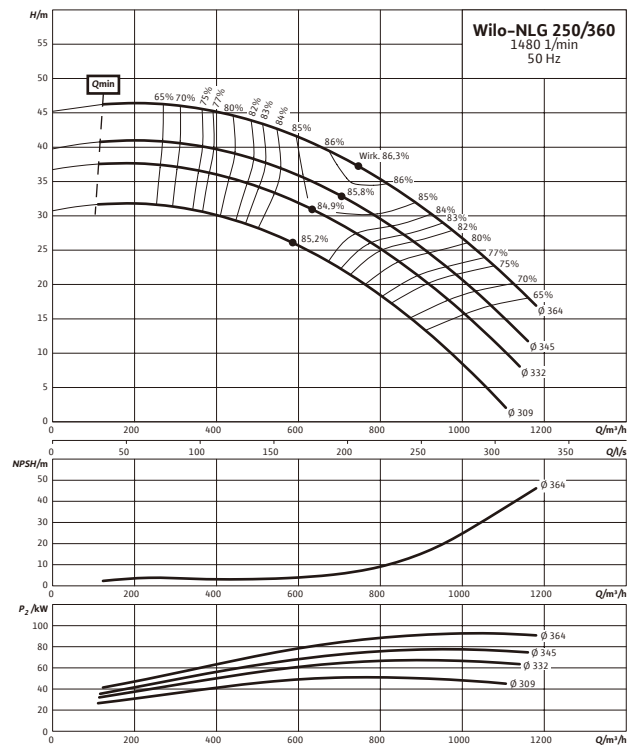
Wilo-NLG 250/315

Speed 1480 rpm



Wilo-NLG 250/360

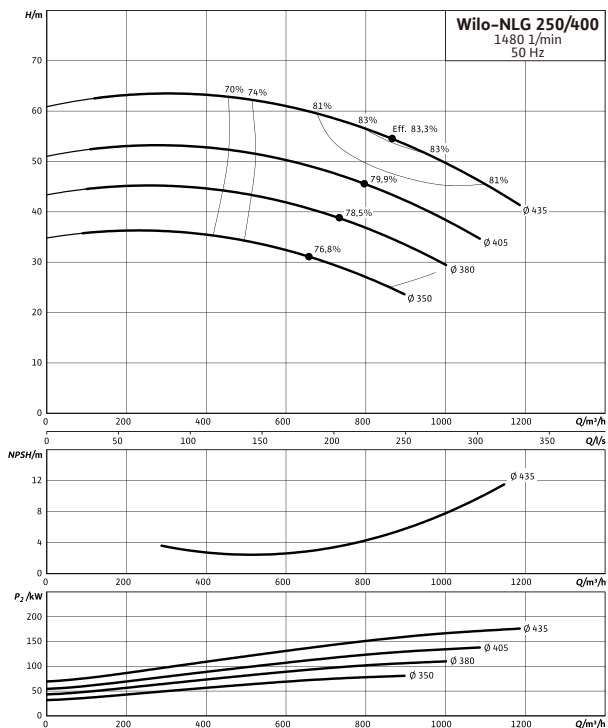
Speed 1480 rpm



Pump curves Wilo - NLG 性能曲线

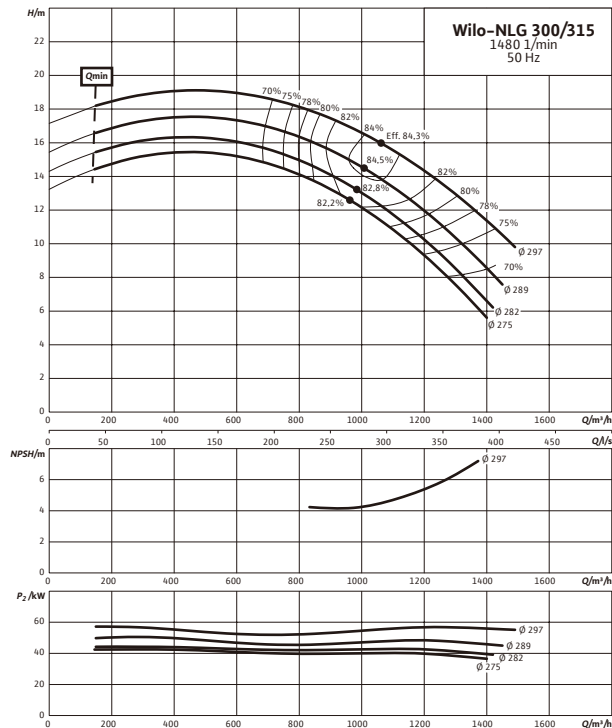
Wilo-NLG 250/400

Speed 1480 rpm



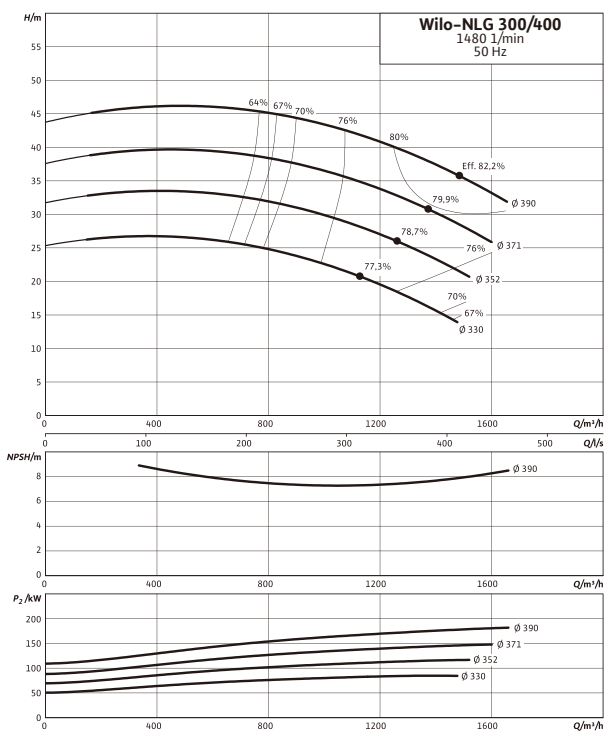
Wilo-NLG 300/315

Speed 1480 rpm



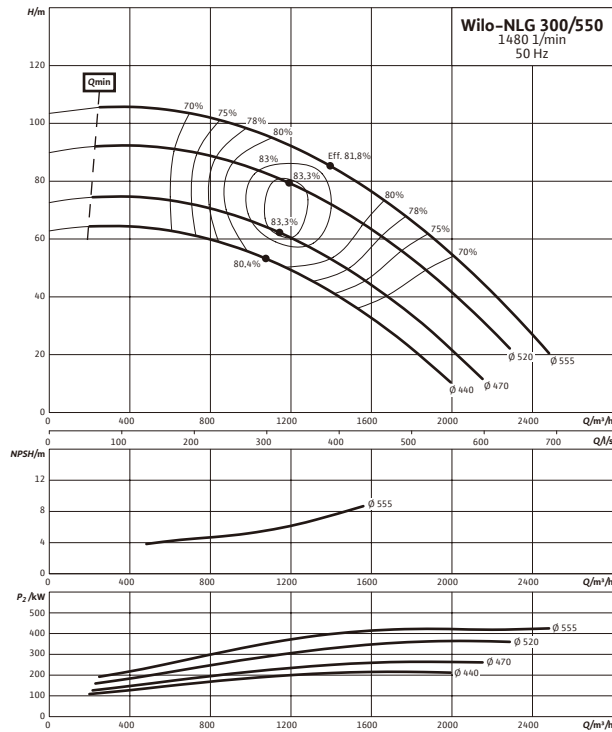
Wilo-NLG 300/400

Speed 1480 rpm

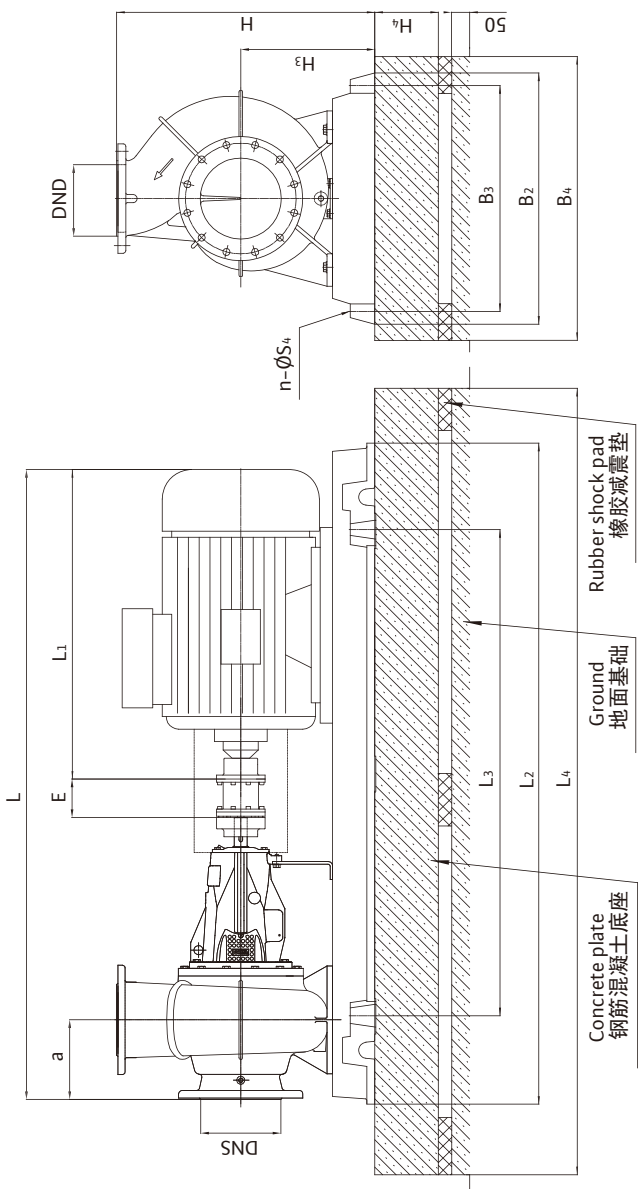


Wilo-NLG 300/550

Speed 1480 rpm



Dimensions, weights Wilo-NLG(with spacer coupling)



The length and width of the base block should be approx. 15 to 30 cm greater than the outer dimensions of the pump baseplate.

水泵基础的外形尺寸应比水泵底座的外形尺寸每边增加15-30cm。

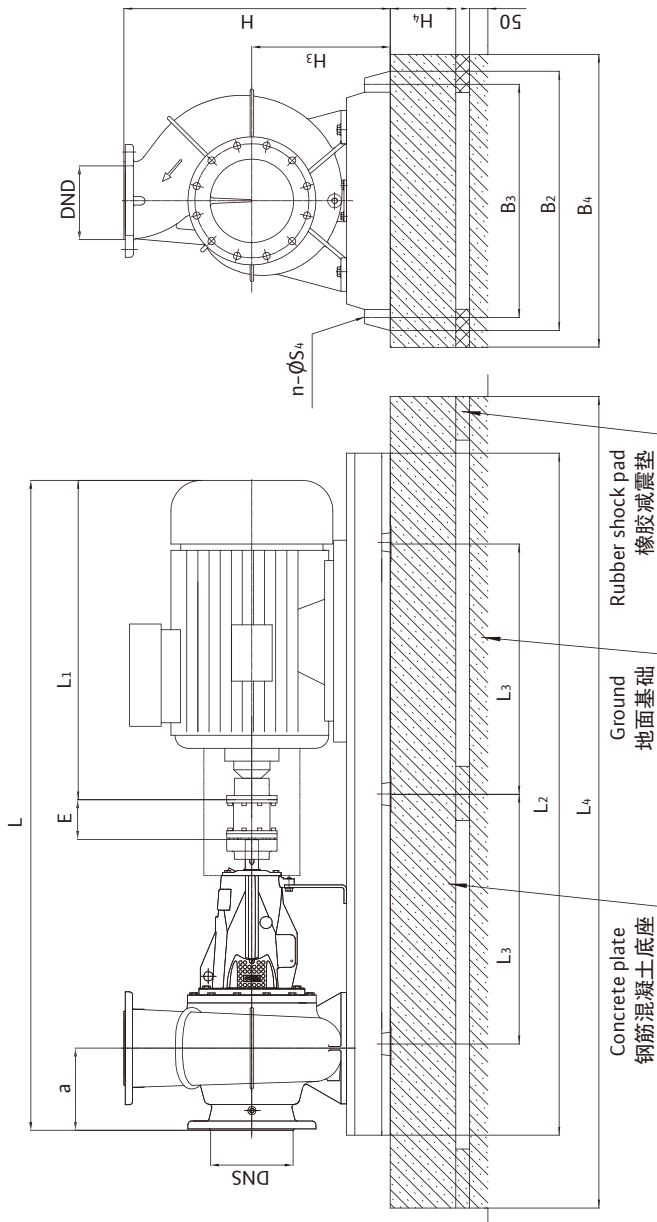
Dimensions L, L3: approximate dimension, since this depends on the make of the motor.

尺寸 L, L3: 大概尺寸, 不同品牌电机尺寸不同。

Motor data, dimensions, weights (1480 rpm, with spacer coupling) 电机参数, 外形尺寸及重量 (配易拆卸短节)

| NLG... | Nominal motor power 电机额定功率 | | Nominal diameter 公称直径 | | Dimensions 外形尺寸 | | | | | | | | | | Weight approx. 重量 | | Concrete plate dimensions 基础尺寸 | | | | Rubber shock pad model 减震垫型号 |
|---------|-------------------------------|------|--------------------------|-----|--------------------|------|----------------|----------------|----------------|----------------|-----|----------------|----------------|----------------|----------------------|----------------|-----------------------------------|------|------|----------------|---------------------------------|
| | P ₂ | [kW] | DNS | DND | a | L | L ₁ | L ₂ | L ₃ | L ₄ | H | H ₃ | H ₄ | B ₁ | B ₂ | B ₃ | B ₄ | E | M | L ₄ | |
| 200/315 | 37 | 225S | 250 | 200 | 180 | 1854 | 815 | 1850 | 1200 | 885 | 435 | 730 | 670 | 4 | 29 | 180 | 935 | 2240 | 1130 | 300 | SD63-4 |
| 250/360 | 45 | 225M | 250 | 200 | 180 | 1879 | 840 | 1850 | 1200 | 885 | 435 | 730 | 670 | 4 | 29 | 180 | 955 | 2240 | 1130 | 300 | SD63-4 |
| | 55 | 250M | 250 | 200 | 180 | 1959 | 920 | 1850 | 1200 | 885 | 435 | 730 | 670 | 4 | 29 | 180 | 1045 | 2240 | 1130 | 300 | SD63-4 |
| | 55 | 250M | 300 | 250 | 250 | 2019 | 920 | 1850 | 1200 | 945 | 470 | 730 | 670 | 4 | 29 | 180 | 1095 | 2240 | 1130 | 300 | SD63-4 |

Dimensions, weights Wilo-NLG(with spacer coupling)



水泵基础的外形尺寸应比水泵底座的外形尺寸每边增加15-30cm。
尺寸 L, L3: 大概尺寸, 不同品牌电机尺寸不同。

The length and width of the base block should be approx. 15 to 30 cm greater than the outer dimensions of the pump baseplate.
Dimensions L, L3: approximate dimension, since this depends on the make of the motor.

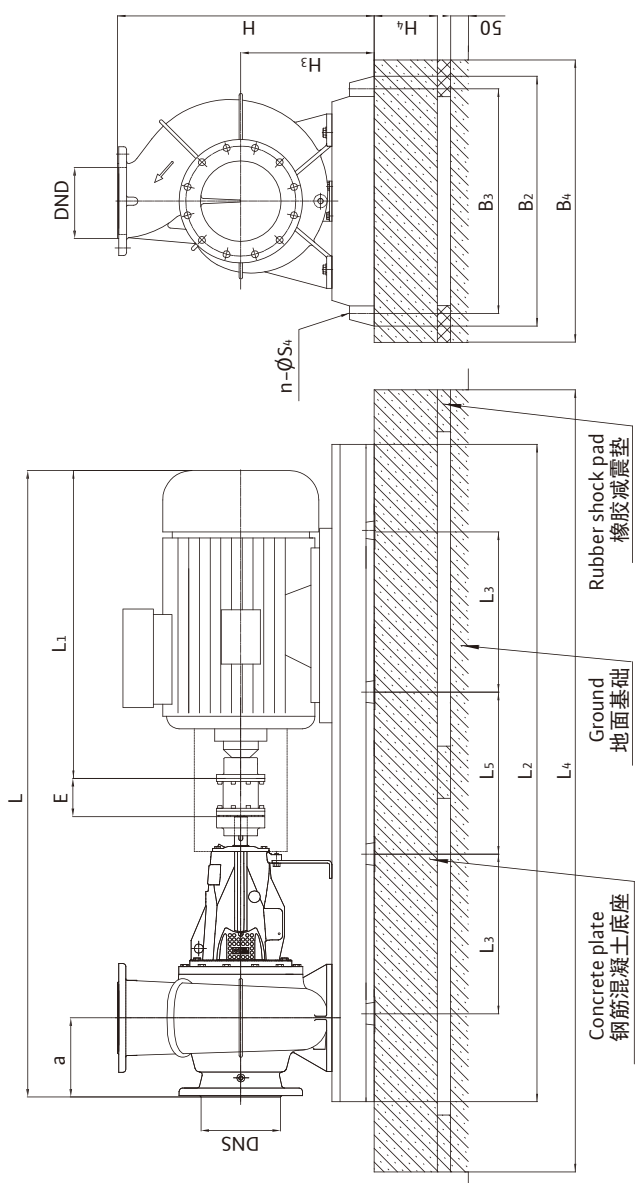
Dimensions, weights Wilo-NLG(with spacer coupling)

| Motor data, dimensions, weights (14-80 rpm, with spacer coupling) 电机参数, 外形尺寸及重量 (配易拆卸短节) | | | | | | | | | | | | | | | | | | | | | | | | | | |
|--|-------------------------------|--------------------|--------------------------|-----|--------------------|--------|----------------|----------------|----------------|------|----------------|----------------|----------------|---|----------------------|-----|------|-----------------------------------|----------------|----------------|------|---------------------------------|------|------|-----|--------|
| NLG... | Nominal motor power 电机额定功率 | Motor size 电机编码 | Nominal diameter 公称直径 | | Dimensions 外形尺寸 | | | | | | | | | | Weight approx. 重量 | | | Concrete plate dimensions 基础尺寸 | | | | Rubber shock pad model 减震垫型号 | | | | |
| | P ₂ | - | DNS | DND | a | L | L ₁ | L ₂ | L ₃ | H | H ₃ | B ₂ | B ₃ | n | ∅S _A | E | M | L ₄ | B ₄ | H ₄ | [mm] | [kg] | [mm] | | | |
| | [kW] | [MG] | | | | | | | | | | | | | | | | | | | | | | | | |
| | 90 | 280M | 200 | 150 | 170 | 2030.5 | 1010 | 1958 | 789 | 1075 | 550 | 760 | 640 | 6 | 26 | 180 | 1295 | 2358 | 1160 | 400 | | 1295 | 2358 | 1160 | 400 | SD63-4 |
| | 110 | 315S | 200 | 150 | 170 | 2240.5 | 1220 | 2126 | 873 | 1115 | 590 | 760 | 640 | 6 | 26 | 180 | 1785 | 2526 | 1160 | 400 | | 1785 | 2526 | 1160 | 400 | SD63-4 |
| | 132 | 315M | 200 | 150 | 170 | 2350.5 | 1330 | 2126 | 873 | 1115 | 590 | 760 | 640 | 6 | 26 | 180 | 1845 | 2526 | 1160 | 400 | | 1845 | 2526 | 1160 | 400 | SD63-4 |
| 150/520 | 160 | 315L1 | 200 | 150 | 170 | 2350.5 | 1330 | 2126 | 873 | 1115 | 590 | 760 | 640 | 6 | 26 | 180 | 1905 | 2526 | 1160 | 400 | | 1905 | 2526 | 1160 | 400 | SD82-4 |
| | 200 | 315L2 | 200 | 150 | 170 | 2350.5 | 1330 | 2126 | 873 | 1115 | 590 | 760 | 640 | 6 | 26 | 180 | 2015 | 2526 | 1160 | 500 | | 2015 | 2526 | 1160 | 500 | SD82-4 |
| | 250 | 355M | 200 | 150 | 170 | 2550.5 | 1530 | 2126 | 873 | 1115 | 590 | 760 | 640 | 6 | 26 | 180 | 2585 | 2526 | 1160 | 500 | | 2585 | 2526 | 1160 | 500 | SD82-4 |
| | 15 | 160L | 200 | 200 | 245 | 1887 | 665 | 1958 | 789 | 845 | 450 | 760 | 640 | 6 | 26 | 250 | 636 | 2358 | 1160 | 300 | | 636 | 2358 | 1160 | 300 | SD63-4 |
| 200/260 | 18.5 | 180M | 200 | 200 | 245 | 1932 | 710 | 1958 | 789 | 845 | 450 | 760 | 640 | 6 | 26 | 250 | 670 | 2358 | 1160 | 300 | | 670 | 2358 | 1160 | 300 | SD63-4 |
| | 22 | 180L | 200 | 200 | 245 | 1967 | 745 | 1958 | 789 | 845 | 450 | 760 | 640 | 6 | 26 | 250 | 690 | 2358 | 1160 | 300 | | 690 | 2358 | 1160 | 300 | SD63-4 |
| | 30 | 200L | 200 | 200 | 245 | 1992 | 770 | 1958 | 789 | 845 | 450 | 760 | 640 | 6 | 26 | 250 | 765 | 2358 | 1160 | 300 | | 765 | 2358 | 1160 | 300 | SD63-4 |
| 200/315 | 75 | 280S | 250 | 200 | 180 | 1999 | 960 | 1958 | 789 | 915 | 465 | 760 | 640 | 6 | 26 | 180 | 1120 | 2358 | 1160 | 400 | | 1120 | 2358 | 1160 | 400 | SD63-4 |
| | 90 | 280M | 250 | 200 | 180 | 2049 | 1010 | 1958 | 789 | 915 | 465 | 760 | 640 | 6 | 26 | 180 | 1160 | 2358 | 1160 | 400 | | 1160 | 2358 | 1160 | 400 | SD63-4 |
| | 55 | 250M | 250 | 200 | 180 | 1925 | 920 | 1958 | 789 | 975 | 550 | 760 | 640 | 6 | 26 | 180 | 955 | 2358 | 1160 | 400 | | 955 | 2358 | 1160 | 400 | SD63-4 |
| 200/390 | 75 | 280S | 250 | 200 | 180 | 1965 | 960 | 1958 | 789 | 975 | 550 | 760 | 640 | 6 | 26 | 180 | 1145 | 2358 | 1160 | 400 | | 1145 | 2358 | 1160 | 400 | SD63-4 |
| | 90 | 280M | 250 | 200 | 180 | 2015 | 1010 | 1958 | 789 | 975 | 550 | 760 | 640 | 6 | 26 | 180 | 1185 | 2358 | 1160 | 400 | | 1185 | 2358 | 1160 | 400 | SD63-4 |
| | 110 | 315S | 250 | 200 | 180 | 2225 | 1220 | 2126 | 873 | 1015 | 590 | 760 | 640 | 6 | 26 | 180 | 1675 | 2526 | 1160 | 400 | | 1675 | 2526 | 1160 | 400 | SD63-4 |
| 200/400 | 75 | 280S | 250 | 200 | 180 | 1965 | 960 | 1958 | 789 | 975 | 550 | 760 | 640 | 6 | 26 | 180 | 1135 | 2358 | 1160 | 400 | | 1135 | 2358 | 1160 | 400 | SD63-4 |
| | 90 | 280M | 250 | 200 | 180 | 2015 | 1010 | 1958 | 789 | 975 | 550 | 760 | 640 | 6 | 26 | 180 | 1175 | 2358 | 1160 | 400 | | 1175 | 2358 | 1160 | 400 | SD63-4 |
| | 110 | 315S | 250 | 200 | 180 | 2225 | 1220 | 2126 | 873 | 1015 | 590 | 760 | 640 | 6 | 26 | 180 | 1665 | 2526 | 1160 | 400 | | 1665 | 2526 | 1160 | 400 | SD63-4 |
| | 22 | 180L | 250 | 250 | 250 | 2022 | 745 | 1958 | 789 | 950 | 500 | 760 | 640 | 6 | 26 | 300 | 725 | 2358 | 1160 | 300 | | 725 | 2358 | 1160 | 300 | SD63-4 |
| 250/260 | 30 | 200L | 250 | 250 | 250 | 2047 | 770 | 1958 | 789 | 950 | 500 | 760 | 640 | 6 | 26 | 300 | 800 | 2358 | 1160 | 300 | | 800 | 2358 | 1160 | 300 | SD63-4 |
| | 37 | 225S | 250 | 250 | 250 | 2092 | 815 | 1958 | 789 | 950 | 500 | 760 | 640 | 6 | 26 | 300 | 825 | 2358 | 1160 | 300 | | 825 | 2358 | 1160 | 300 | SD63-4 |

Dimensions, weights Wilo-NLG(with spacer coupling)

| Motor data, dimensions, weights (1480 rpm, with spacer coupling) 电机参数, 外形尺寸及重量 (配易拆卸短节) | | | | | | | | | | | | | | | | | | | | | |
|---|---|-------------------------|--------------------------|-----|--------------------|------|----------------|----------------|----------------|------|----------------|----------------|----------------|---|---------------------------|-----------------------------------|------|----------------|---------------------------------|----------------|----------------|
| NLG... | Nominal motor power 电机额定功率 P ₂ | Motor size 电机编码 - | Nominal diameter 公称直径 | | Dimensions 外形尺寸 | | | | | | | | | | Weight approx. 重量 M | Concrete plate dimensions 基础尺寸 | | | Rubber shock pad model 减震垫型号 | | |
| | | | DNS | DND | a | L | L ₁ | L ₂ | L ₃ | H | H ₃ | B ₂ | B ₃ | n | | ØS ₄ | E | L ₄ | | B ₄ | H ₄ |
| | [kW] | [MG] | | | [mm] | | | | | | | | | | [kg] | [mm] | | | | | |
| 250/315 | 45 | 225M | 300 | 250 | 290 | 2180 | 840 | 2126 | 873 | 985 | 530 | 760 | 640 | 6 | 26 | 300 | 2526 | 1160 | 300 | SD63-4 | |
| | 55 | 250M | 300 | 250 | 290 | 2260 | 920 | 2126 | 873 | 985 | 530 | 760 | 640 | 6 | 26 | 300 | 2526 | 1160 | 300 | SD63-4 | |
| | 75 | 280S | 300 | 250 | 290 | 2300 | 960 | 2126 | 873 | 985 | 530 | 760 | 640 | 6 | 26 | 300 | 2526 | 1160 | 400 | SD63-4 | |
| | 90 | 280M | 300 | 250 | 290 | 2350 | 1010 | 1958 | 789 | 945 | 490 | 760 | 640 | 6 | 26 | 300 | 2358 | 1160 | 400 | SD63-4 | |
| 250/360 | 110 | 315S | 300 | 250 | 290 | 2560 | 1220 | 2126 | 873 | 985 | 530 | 760 | 640 | 6 | 26 | 300 | 2526 | 1160 | 400 | SD63-4 | |
| | 75 | 280S | 300 | 250 | 250 | 2059 | 960 | 1958 | 789 | 975 | 500 | 760 | 640 | 6 | 26 | 180 | 2358 | 1160 | 400 | SD63-4 | |
| | 90 | 280M | 300 | 250 | 250 | 2109 | 1010 | 1958 | 789 | 975 | 500 | 760 | 640 | 6 | 26 | 180 | 2358 | 1160 | 400 | SD63-4 | |
| | 110 | 315S | 300 | 250 | 250 | 2319 | 1220 | 2126 | 873 | 1015 | 540 | 760 | 640 | 6 | 26 | 180 | 1665 | 1160 | 500 | SD82-4 | |
| 250/400 | 75 | 280S | 300 | 250 | 240 | 2286 | 960 | 1958 | 789 | 1085 | 560 | 760 | 640 | 6 | 26 | 250 | 2358 | 1160 | 400 | SD63-4 | |
| | 90 | 280M | 300 | 250 | 240 | 2336 | 1010 | 2312 | 966 | 1125 | 600 | 880 | 760 | 6 | 29 | 250 | 2712 | 1300 | 400 | SD82-4 | |
| | 110 | 315S | 300 | 250 | 240 | 2546 | 1220 | 2312 | 966 | 1125 | 600 | 880 | 760 | 6 | 29 | 250 | 2100 | 1300 | 500 | SD82-4 | |
| | 45 | 225M | 300 | 300 | 272 | 2149 | 840 | 2126 | 873 | 1075 | 575 | 760 | 640 | 6 | 26 | 300 | 995 | 2526 | 1160 | 300 | SD63-4 |
| 300/315 | 55 | 250M | 300 | 300 | 272 | 2229 | 920 | 2126 | 873 | 1075 | 575 | 760 | 640 | 6 | 26 | 300 | 1085 | 2526 | 1160 | 300 | SD63-4 |
| | 75 | 280S | 300 | 300 | 272 | 2269 | 960 | 2126 | 873 | 1075 | 575 | 760 | 640 | 6 | 26 | 300 | 1275 | 2526 | 1160 | 400 | SD63-4 |
| | 75 | 280S | 350 | 300 | 280 | 2336 | 960 | 2312 | 966 | 1175 | 600 | 880 | 760 | 6 | 29 | 250 | 1695 | 2712 | 1300 | 400 | SD82-4 |
| | 90 | 280M | 350 | 300 | 280 | 2386 | 1010 | 2312 | 966 | 1175 | 600 | 880 | 760 | 6 | 29 | 250 | 1735 | 2712 | 1300 | 400 | SD82-4 |

Dimensions, weights Wilo-NLG(with spacer coupling)



The length and width of the base block should be approx. 15 to 30 cm greater than the outer dimensions of the pump baseplate.

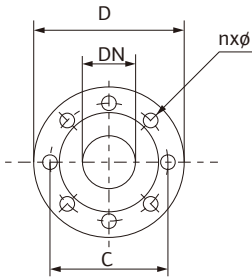
水泵基础的外形尺寸应比水泵底座的外形尺寸每边增加15-30cm。
尺寸 L, L3: 大概尺寸, 不同品牌电机尺寸不同。

电机参数, 外形尺寸及重量 (配易拆卸短节)

| NLG... | Nominal motor power 电机额定功率 | | Motor size 电机编码 | | Nominal diameter 公称直径 | | Dimensions 外形尺寸 | | | | | | | | | | | Weight approx. 重量 | | | Concrete plate dimensions 基础尺寸 | | | |
|---------|-------------------------------|-------|--------------------|------|--------------------------|------|--------------------|------|----------------|----------------|----------------|----------------|-----|----------------|----------------|----------------|-----|----------------------|------|------|-----------------------------------|----------------|----------------|---------------------------------|
| | P ₂ | [kW] | - | [MG] | DNS | DND | a | L | L ₁ | L ₂ | L ₃ | L ₅ | H | H ₃ | B ₂ | B ₃ | n | ØS ₄ | E | M | L ₄ | B ₄ | H ₄ | Rubber shock pad model 减震垫型号 |
| | | | | | | | | | | | | | | | | | | | | | | | | |
| 250/400 | 132 | 315M | 300 | 250 | 240 | 2656 | 1330 | 2445 | 632.5 | 800 | 1165 | 640 | 920 | 760 | 8 | 29 | 250 | 2285 | 2845 | 1300 | 500 | SD82-4 | | |
| | 160 | 315L1 | 300 | 250 | 240 | 2656 | 1330 | 2445 | 632.5 | 800 | 1165 | 640 | 920 | 760 | 8 | 29 | 250 | 2345 | 2845 | 1300 | 600 | SD82-4 | | |
| | 200 | 315L2 | 300 | 250 | 240 | 2656 | 1330 | 2445 | 632.5 | 800 | 1165 | 640 | 920 | 760 | 8 | 29 | 250 | 2455 | 2845 | 1300 | 600 | SD82-4 | | |
| 300/400 | 110 | 315S | 350 | 300 | 280 | 2596 | 1220 | 2445 | 632.5 | 800 | 1215 | 640 | 920 | 760 | 8 | 29 | 250 | 2270 | 2845 | 1300 | 500 | SD82-4 | | |
| | 132 | 315M | 350 | 300 | 280 | 2706 | 1330 | 2445 | 632.5 | 800 | 1215 | 640 | 920 | 760 | 8 | 29 | 250 | 2330 | 2845 | 1300 | 500 | SD82-4 | | |
| | 160 | 315L1 | 350 | 300 | 280 | 2706 | 1330 | 2445 | 632.5 | 800 | 1215 | 640 | 920 | 760 | 8 | 29 | 250 | 2390 | 2845 | 1300 | 600 | SD82-4 | | |
| 300/550 | 200 | 315L2 | 350 | 300 | 280 | 2706 | 1330 | 2445 | 632.5 | 800 | 1350 | 700 | 920 | 760 | 8 | 29 | 250 | 2620 | 2845 | 1300 | 600 | SD82-4 | | |
| | 250 | 355M | 350 | 300 | 280 | 2906 | 1530 | 2770 | 633 | 800 | 1350 | 700 | 920 | 760 | 8 | 29 | 250 | 3220 | 3170 | 1300 | 600 | SD82-4 | | |
| | 315 | 355L | 350 | 300 | 280 | 2906 | 1530 | 2770 | 633 | 800 | 1350 | 700 | 920 | 760 | 8 | 29 | 250 | 3350 | 3170 | 1300 | 600 | SD82-4 | | |

Flange dimensions Wilo-NLG 法兰尺寸

Dimension drawing 法兰尺寸图



Flange dimensions (suction side) 铸铁法兰尺寸 (进口端)

| Wilo-NLG ... | Nominal diameter 公称直径 | Pump flange dimensions 水泵法兰尺寸 | | | Flange 法兰 |
|-----------------|-----------------------|-------------------------------|------------------|-------------|-----------|
| | DN ₁ | Ø D ₁ | Ø C ₁ | n x Ø | PN |
| | | [mm] | | [pcs. x mm] | — |
| 200... | 200 | 340 | 295 | 12 X 23 | 16 |
| 250... | 250 | 405 | 355 | 12 X 28 | 16 |
| 300... | 300 | 460 | 410 | 12 X 28 | 16 |
| 350... | 350 | 520 | 470 | 16 X 28 | 16 |

Flange dimensions (pressure side) 铸铁法兰尺寸 (出口端)

| Wilo-NLG ... | Nominal diameter 公称直径 | Pump flange dimensions 水泵法兰尺寸 | | | Flange 法兰 |
|-----------------|-----------------------|-------------------------------|------------------|-------------|-----------|
| | DN ₂ | Ø D ₂ | Ø C ₂ | n x Ø | PN |
| | | [mm] | | [pcs. x mm] | — |
| 150... | 150 | 285 | 240 | 8 X 23 | 16 |
| 200... | 200 | 340 | 295 | 12 X 23 | 16 |
| 250... | 250 | 405 | 355 | 12 X 28 | 16 |
| 300... | 300 | 460 | 410 | 12 X 28 | 16 |

“威乐的产品节能
降耗，技术领先，
服务更出色！”





威乐中国官方微信



威乐中国官方微博

威乐（中国）水泵系统有限公司

地址：

北京市顺义区赵全营兆丰工业区兆丰二街 10 号
101300

电 话：010-52347888

传 真：010-52347666

网 址：www.wilo.com.cn

威乐（中国）销售网络

上海：021-52981538 广州：020-38817608

天津：010-52347718 青岛：010-52347718

重庆：023-67723781 成都：028-85031202

深圳：0755-23995796 郑州：010-52347718

沈阳：024-31300733 武汉：027-85355869

南京：010-52347718 西安：029-87651288

大连：0411-83700726/0725

本资料全部内容属于威乐（中国）水泵系统有限公司所有，未经本公司书面许可，任何单位及个人不得以任何形式转载。